



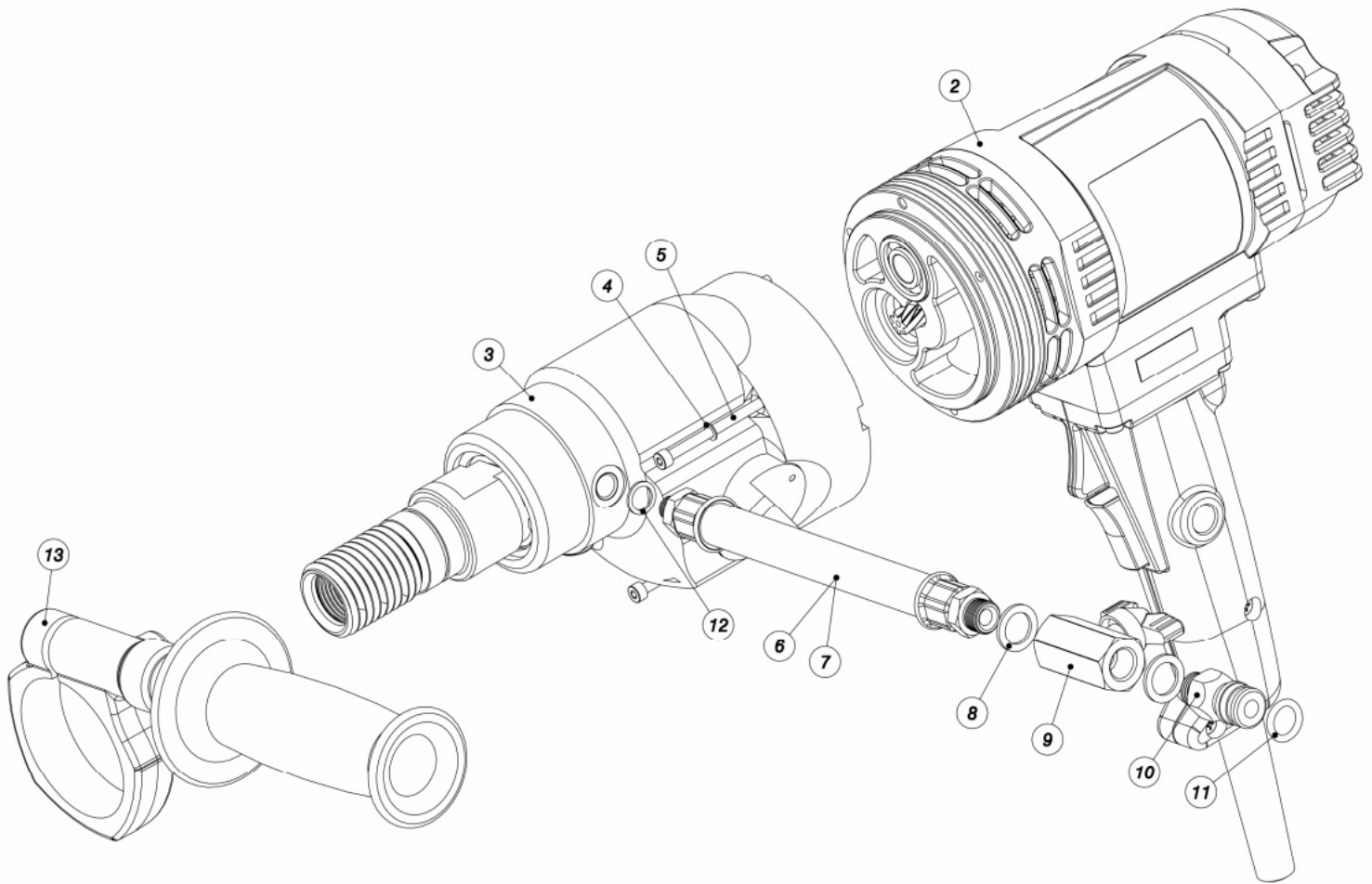
DB12

Parts Breakdown / *Diagramme de Pièces*



All rights reserved

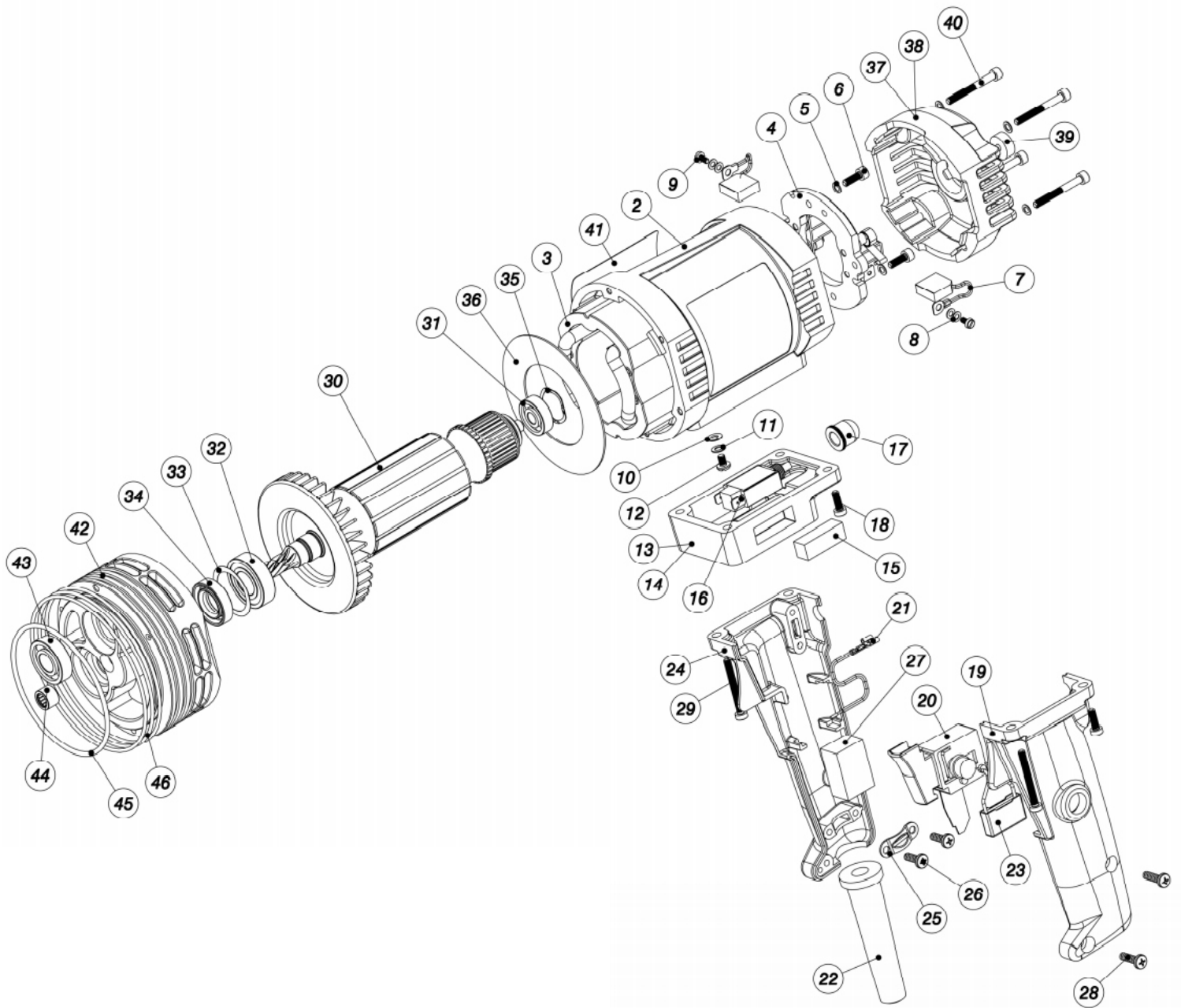
Machine complete, DB12



Item	Art. No.	Description	No.
1	201212	Stone drilling machine complete EBM23 F	1
2	200962	Motor complete	1
3	302297	Gear complete	1
4	800076	Locking washer	3
5	901011	Hexagon socket head cap screw	3
6	802980	Water connection complete	1 **
7	802981	Hose complete	1
8	800028	Sealing ring	2
9	800023	Ball cock complete	1
10	800020	Slot-in nipple	1
11	800040	O ring	1
12	800027	Sealing ring	1
13	400961	Handle complete	1

Wearing parts**

Motor complete, DB12

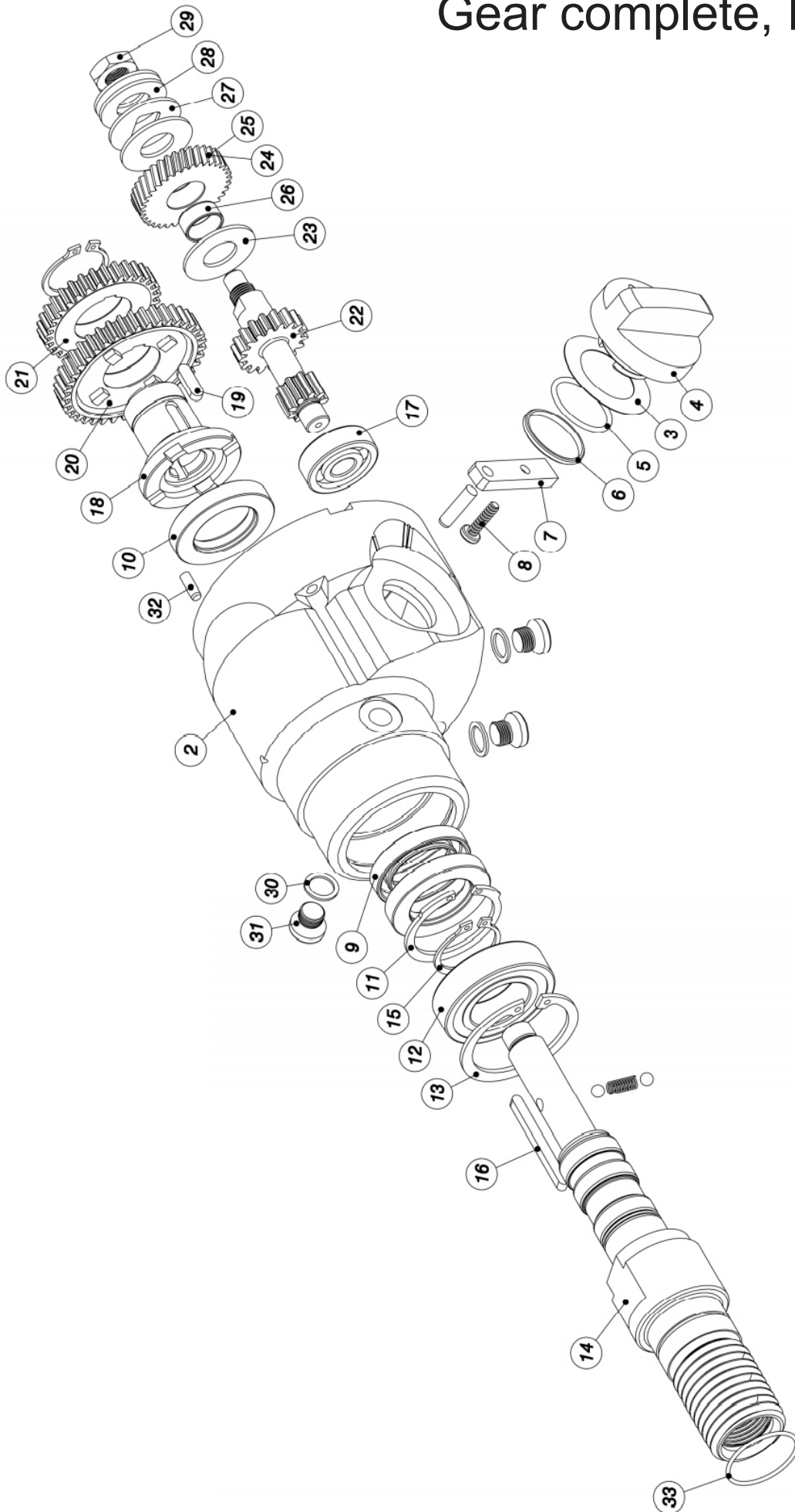


Motor complete, DB12

Item	Art. No.	Description	No.
1	200962	Motor complete	1
2	200397	Motor casing	1
3	401117	Magnet casing	1
4	801426	Brush bridge	1
5	800076	Locking washer	6
6	900339	Hexagon socket head cap screw	2
7	801425	Carbon brush	2 **
8	900183	Spring washer	4
9	900407	Cheese-head screw	2
10	900231	Washer	1
11	900181	Spring washer	1
12	900412	Flat head screw	1
13	401101	Control box complete	1
14	401100	Control box	1
15	801200	Spirit level	1
16	800727	Circuit breaker	1
17	800134	Protecting cap	1 **
18	900689	Hexagon socket head cap screw	4
19	801211	Handle half	1
20	803091	Equipment switch	1
21	800731	Cable complete	1
22	801427	Cable grommet	1 **
23	801220	Interference-suppression capacitor	1
24	801210	Handle half	1
25	801221	Strain-relief clamp	1
26	900699	Cross recessed pan head tapping screw	2
27	801074	Softpack	1
28	900623	Cross recessed pan head tapping screw	2
29	901405	Hexagon socket head cap screw	2
30	401305	Balanced armature with fan	1
31	900001	Grooved ball bearings	1 **
32	900483	Grooved ball bearings	1 **
33	801988	Shim ring	1
34	900708	Shaft sealing ring	1 **
35	800266	Ball bearing compensating disc	1
36	401666	Air-flow-plate	1
37	401099	Bearing cap complete	1
38	200549	Bearing cap	1
39	800910	Spirit level	1
40	900756	Hexagon socket head cap screw	4
42	201049	Intermediate cover	1
43	900495	Grooved ball bearings	1 **
44	900170	Needle sleeve	1 **
45	800099	O ring	1 **
46	801346	O ring	3 **

Wearing parts**

Gear complete, DB12



Gear complete, DB12

Item	Art. No.	Description	No.
1	302297	Gear complete	1
2	200391	Gear casing	1
3	800483	Compensation slice	1
4	100723	Control grip	1 **
5	801367	O ring	1 **
6	401038	Sleeve	1
7	401036	Switch handle complete	1
8	801755	Slotted cheese head screws	1
9	900020	Shaft sealing ring	1 **
10	900019	Shaft sealing ring	2 **
11	800001	Locking ring	1 **
12	900000	Grooved ball bearing	1 **
13	800559	Locking ring	1 **
14	302273	Drill spindle complete, 1 ¼" / R ½" optional	1
15	800000	Locking ring	2 **
16	900764	Parallel key	1
17	900486	Grooved ball bearing	1 **
18	300882	Control connector	1
19	900765	Parallel key	1
20	300774	Control wheel / Loose wheel	1
21	300775	Control wheel 2	1
22	300778	Reduction gear shaft	1
23	400135	Brake disc	2 **
24	401040	Reduction wheel complete	1
25	300780	Reduction wheel	1
26	401041	Bearing sleeve	1 **
27	400137	Compression washer	1
28	900018	Disc spring	2
29	900008	Hexagonal nut	1 **
30	800027	Sealing ring	3 **
31	800026	Sealing screw	3
32	900012	Cylindrical pin	1
33	800092	O ring	1 **
34	800393	Gearbox oil 0,2 l	1 **

Wearing parts**